

INON

Hand Grip

- Package contents:**
- Hand Grip ×1
 - Hand Grip Body ① ×1
 - YS Base (M6-17 mm) ② ×1
 - M6x12 Low Head Cap Screw ③ ×4
 - M6 Washer ④ ×4
 - Hook Plate ⑤ ×1
 - Allen Wrench 4 mm ⑥ ×1
 - This user manual ×1

- Compatible products:**
- Z Joint, Quick Holder Set S-Z/S-LF/S-LE
 - Quick Base S, Quick Base M6W
 - Single Light Holder LF, Single Light Holder LE

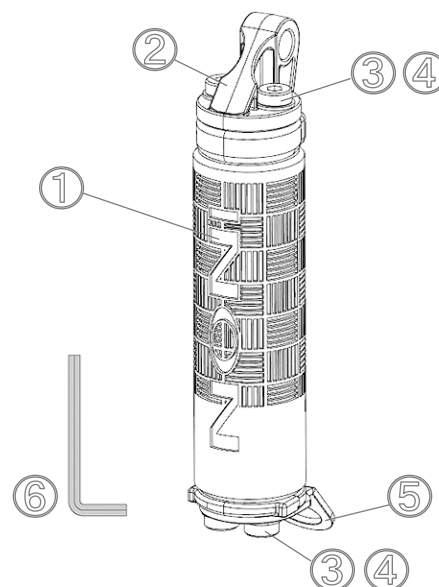
[Arm System]

Top end when removing the YS Base (M6-17 mm)

- Quick Shoe W50 Clamp, Quick Shoe W27 Clamp
- Direct Base III, Multi Direct Base IIa, Multi Direct Base II Long
- Multi Direct Base II WB, Z Adapter II, Direct Base YS RT, Shoe Base Adapter D4

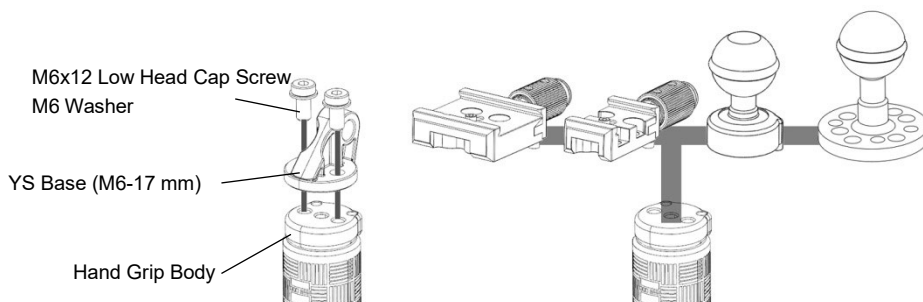
Bottom end when removing the Hook Plate

- Multi Direct Base IIa, Multi Direct Base II Long, Multi Direct Base II WB



- Arm System installation:**
- On the YS Base (M6-17 mm)
The preinstalled **YS Base (M6-17 mm)** can be coupled to the **Z Joint, Quick Holder Set** or **Single Light Holder** etc.
 - On the top end *without* YS Base (M6-17 mm)
The preinstalled **YS Base (M6-17 mm)** can be detached by removing **M6x12 Low Head Cap Screws/M6 Washers** with supplied **Allen Wrench 4 mm**.

The **Quick Shoe W50 Clamp, Quick Shoe W27 Clamp, Direct Base III** etc. can be directly attached on the handle top.



- On the bottom end *without* Hook Plate
The preinstalled **Hook Plate** can be detached by removing **M6x12 Low Head Cap Screws/M6 Washers** with supplied **Allen Wrench 4mm**.

The **Multi Direct Base** products can be directly attached on the handle end.

