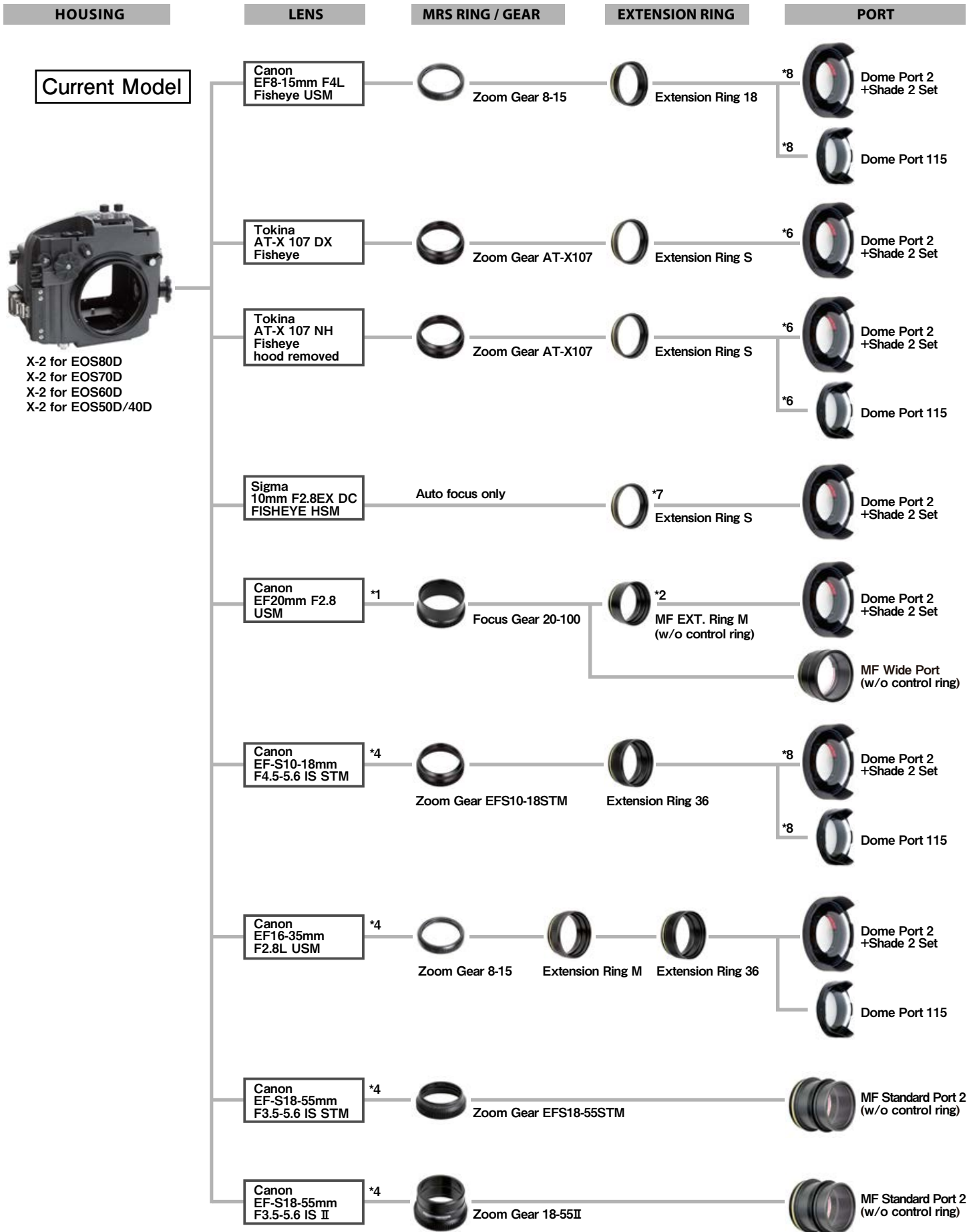
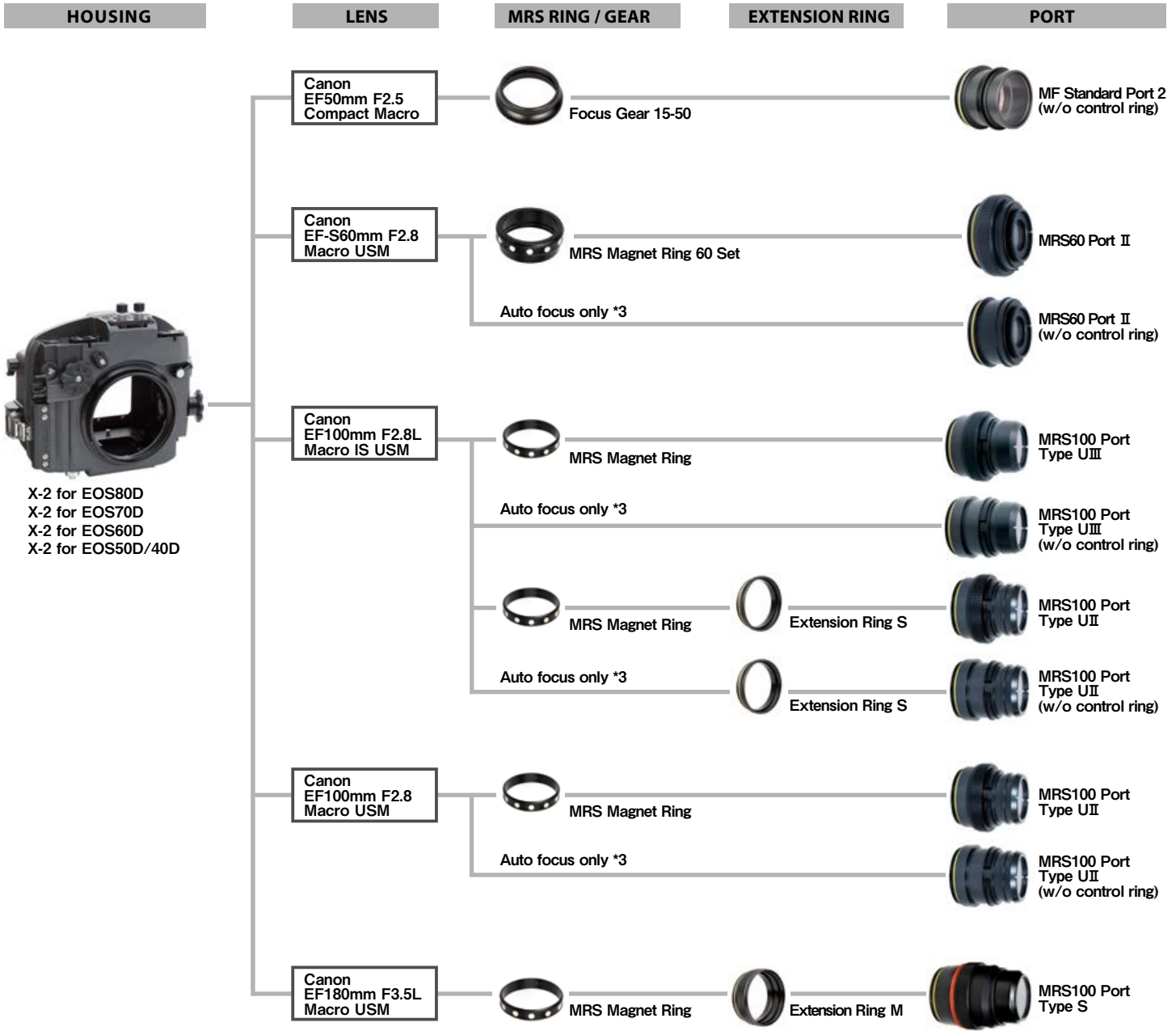
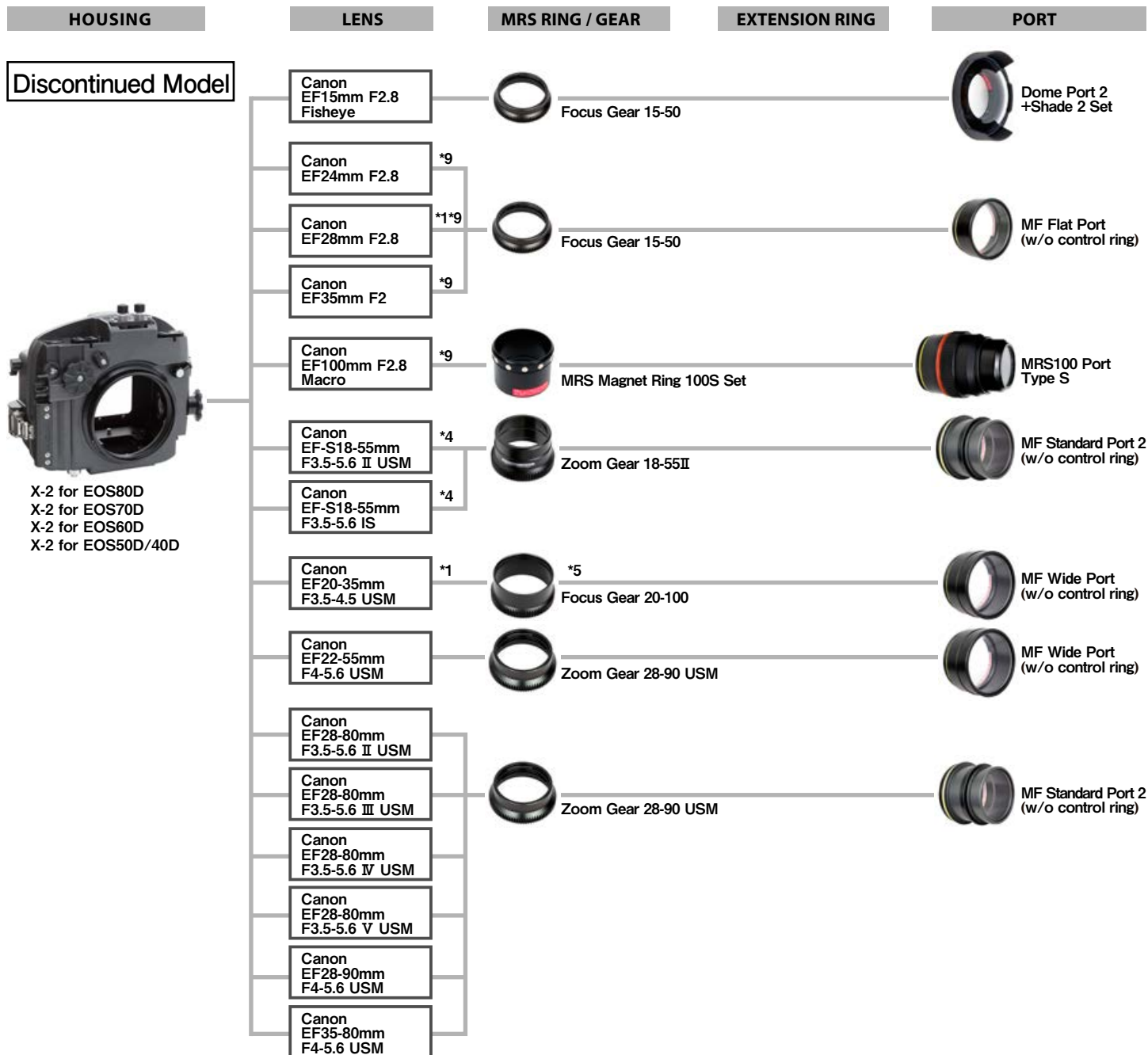


INON SYSTEM CHART for X-2 HOUSING (EOS80D,70D,60D,50D/40D)







- *1 When shooting with wider aperture setting, image quality may degrade on peripheral part. Use smaller aperture setting.
- *2 Minimum focus distance gets little bit longer. Commercially available close-up lens No.2 like "Canon Close-up Lens 500D/72mm" etc. would be recommended to attach on the lens front to compensate it.
- *3 Auto focus (AF) only. For manual focus operation, optional "MRS Control Ring 60/60II/100UII/100UIII/50 for Olympus" and compatible "Magnet Ring" is necessary.
- *4 When shooting at zoom wide end with wider aperture setting, peripheral part of an image may get degraded. Use smaller aperture setting.
- *5 Supports zoom operation. Manual focus (MF) is not supported and only auto focus shooting is available.
- *6 "Shade Sponge D70" is attached on inner side of the Dome Port 2 or Dome Port 115 to block built-in flash light to prevent the flash light from exposing on an image. The optional "Zoom Gear AT-X107" (to control zooming), comes with a Shade Sponge D70.
- *7 "Shade Sponge 7mm" is attached on inner side of the Extension Ring S to block built-in flash light to prevent the flash light from exposing on an image.
- *8 "Shade Sponge D80" is attached on inner side of the Dome Port 2 or Dome Port 115 to block built-in flash light to prevent the flash light from exposing on an image. The optional "Zoom Gear 8-15" / "Zoom Gear EFS10-18STM" (to control zooming), comes with a Shade Sponge D80.
- *9 Non USM old style lens.

"MF Port" series ("MF Standard Port 2"/"MF Wide Port"/"MF Flat Port") or "MF EXT. Ring M" can not be attached on "Extension Ring" other than "MF EXT. Ring M".