

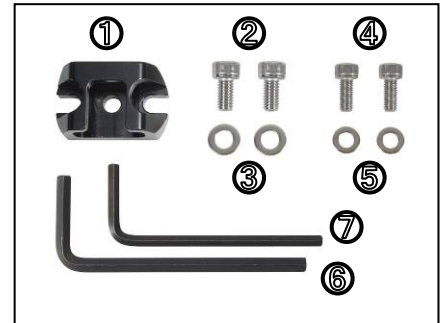
INON

INON Shoe Base Adapter X2

Thank you for purchasing INON product.

The INON Shoe Base Adapter X2 is an optional accessory to attach INON 「Shoe Base」 directly on the INON 「X-2」 series housing or 「Grip BarⅢ Set」 etc. Supports compact lighting system in combination with INON 「Z Joint」 and “Light Holder product” to use INON external strobe (「S-2000」, 「D-2000」, 「Z-240」etc.) or INON LED flashlight (「LE250」etc.).

Package contents:	• Shoe Base Adapter X2 Body ①	×1
	• M6 Cap Screw ②	×2
	• M6 Washer ③	×2
	• M5 Cap Screw ④	×2
	• M5 Washer ⑤	×2
	• M6 Hex Wrench ⑥	×1
	• M5 Hex Wrench ⑦	×1
	• This user manual	×1



Compatible products: X-2 series housing

- (as of January 2010)
- INON X-2 for EOS10D
 - INON X-2 for EOS10D BK
 - INON X-2 for EOS20D
 - INON X-2 for EOS20D BK
 - INON X-2 for EOS20D BK(TM)
 - INON X-2 for EOS30D BK(TM)
 - INON X-2 for EOS50D/40D

Arm system products

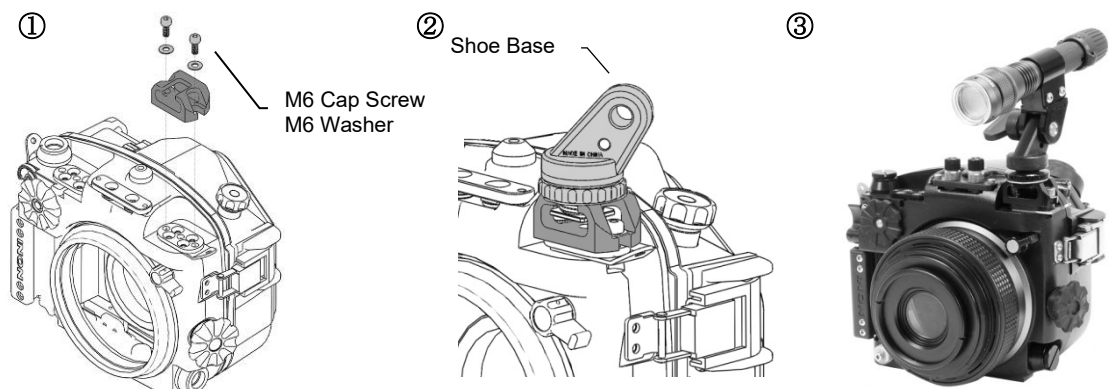
- INON Grip BarⅢ Set
- INON HolderⅡ Grip Set

Other manufactures' housing

This product can be attached on other manufactures' housing if attachment screw holes have within compatible design. Please see 「Installing on Other Manufactures' Housing」 on next page for detail.

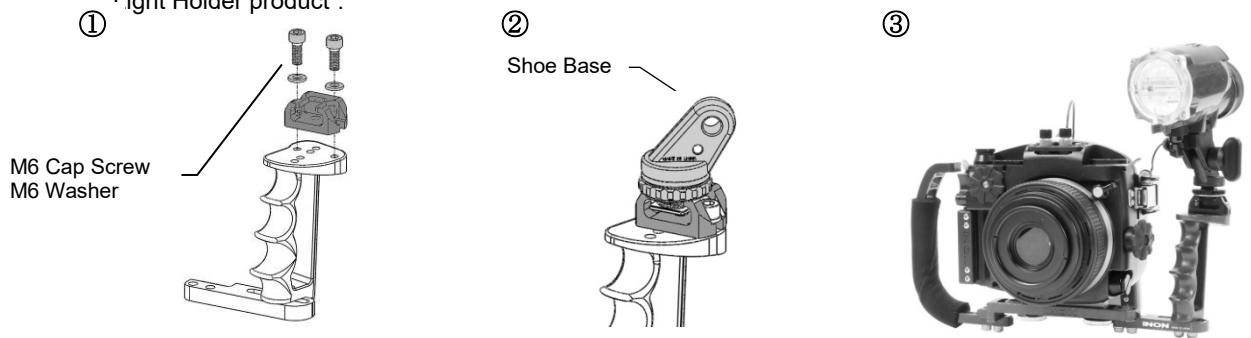
Installation method: Installing on INON 「X-2」 series housing

- ① Attach the Shoe Base Adapter X2 Body with two sets of supplied M6 Cap Screws/M6 Washers on 「Multi Direct Base II Fixing Screw Hole (M6)」 located on the top of the 「X-2」 series housing by using supplied M6 Hex Wrench.
- ② Attach 「Shoe Base」 on the Shoe Base Adapter X2. Refer to user manual of the 「Shoe Base」 for detail of installation method of the 「Shoe Base」.
- ③ Attach INON external strobe (「S-2000」, 「D-2000」, 「Z-240」etc.) or INON LED flashlight (「LE250」etc.) on the Shoe Base via INON 「Z Joint」 or “Light Holder product”. An wing nut of the 「Z Joint」 or “Light Holder product” may interrupt free movement of the combined fiber optics or sync cable.



Installation on INON 「Grip Bar III Set」, 「Holder II Grip Set」

- ④ As same as installing on INON 「X-2」 series housing, attach the Shoe Base Adapter X2 Body with two sets of supplied M6 Cap Screws/M6 Washers on Grip Bar III Set/Holder II Grip Set by using supplied M6 Hex Wrench, and attach INON Shoe Base on the adapter. Then install INON external strobe (「S-2000」, 「D-2000」, 「Z-240」etc.) or INON LED flashlight (「LE250」etc.) on the Shoe Base via INON 「Z Joint」 or “Light Holder product”.

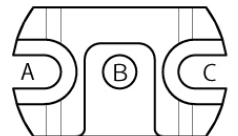


Installing on Other Manufactures' Housing

Attach the Shoe Base Adapter X2 with supplied two sets of M6 Cap Screw/M6 Washer or M5 Cap Screw/M5 Washer on a housing through either two screw holes of fixing screw holes “A”“B”“C” of the Shoe Base Adapter X2 Body.

Combined housing should have two M6 or M5 screw holes with 7mm or deeper and distance between two screw holes as described below.

M6 Screw :	When using “A” and “B”, or “C” and “B”	14~15mm/0.55~0.59”
	When using “A” and “C”	28mm~30mm/1.10~1.18”
M5 Screw :	When using “A” and “B”, or “C” and “B”	13.5~15.5mm/0.53~0.61”
	When using “A” and “C”	27~31mm/1.06~1.22”



Before using make sure that combined INON 「Shoe Base」, 「Z Joint」 or “Light Holder product” is not obstructing/conflicting a housing or housing accessory. INON Inc. can not take any responsibility for any trouble/damage(damage to housing/housing accessories/camera) resulting from the installation.

Maintenance

- After each use, rinse with fresh water to dissolve any salt build-up and clean the product. Place in shaded and well ventilated area to completely dry. Never apply flame or direct heat or deformation/damage may result.
- Periodically apply grease (grease for housing) on metal part of screws to prevent rust caused by electrical corrosion.

Storage method

- Store the product in shaded, well ventilated and dry area. Avoid storing near chemicals or in the area with cold/high temperature, high humidity or large temperature and humidity fluctuations to prevent deformation, mold, rust or corrosion.
- Remove this product from a housing/grip when not in use more than one week to prevent deformation or rusting due to electrical corrosion.
- Keep this product out of reach of children. They may swallow accessories or small parts of this product. See a doctor immediately if a child swallow accessories or small parts.

Handling precautions

- Make sure to follow preparation/installation procedures described in this manual. Insufficient tightening of the M6 Cap Screws/M5 Cap Screws may lead to accidental separation of combined products and/or damage.
- Be sure to attach the Shoe Base properly and fasten its fixing dial firmly to avoid accidental separation of combined housing/protector/strobe/LED flashlight causing separation/damage/lost.
- Hold combined compatible housing etc. during transportation of whole system without applying excessive shock, vibration and/or pressure. Do not hold this product or compatible product only to transport whole system to avoid accidental separation of combined housing/protector/ strobe/LED flashlight causing separation/damage/lost.

Options

Shoe Base

Together with this product (「Shoe Base Adapter X2」), the Shoe Base is attached on 「X-2」 series housing/ 「Grip Bar III Set」 etc to set up compact and handy strobe/LED flashlight system.

The 「YS Adapter」 compatible arm adapter is tilted at a 45 degrees angle and base part is rotatable 360 degrees for flexible strobe/LED flashlight positioning.



INON D Shoe Base Adapter X2 specifications [*1]

Model	Shoe Base Adapter X2
Size	W:39.5mm (1.6") x H17.5mm (0.7") x D: 27mm (1.1")
Weight	Air :10g (0.4oz)/ Underwater: approx 6g (0.2oz)
Material/finishing	Corrosion-resistant aluminum alloy/rigid alumite etc.

INON Inc.
 2-18-9, Dai, Kamakura,
 Kanagawa 247-0061 JAPAN
 E-mail support@inon.co.jp
 Fax. +81(0)467-48-2178
 URL<http://www.inon.co.jp/>

January 2010

*1 Subject to change without prior notice