

INON ARM II System

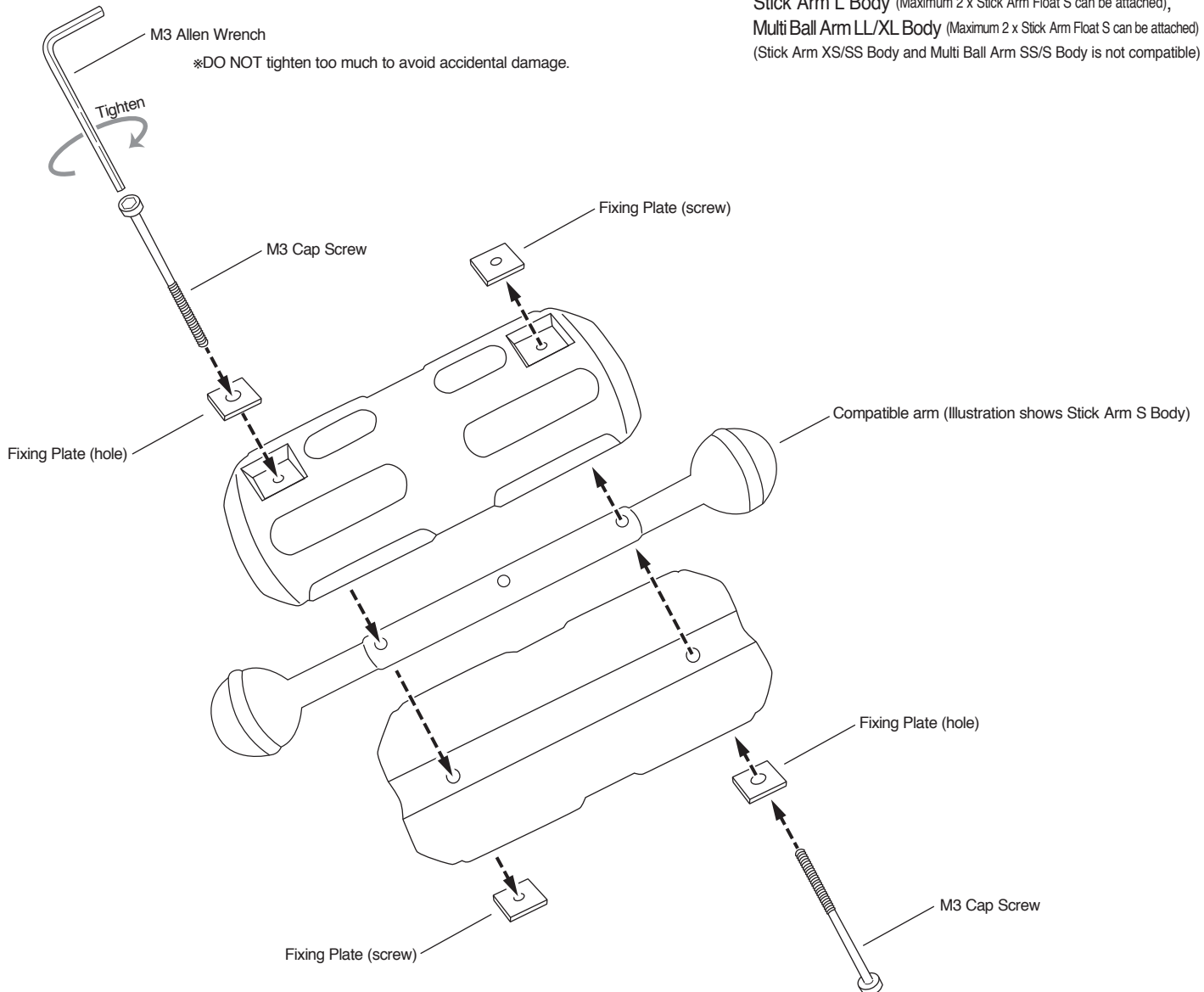
Stick Arm Float S



Features

The Stick Arm Float S helps to enhance grip performance of combined Stick Arm / Multi Ball Arm and gives buoyancy underwater.

How to attach



Specifications

Package contents	Stick Arm Float S x 2 Fixing Plate (hole) x 2, Fixing Plate (screw) x 2, M3 Cap Screw x 2, M3 Allen Wrench x 1
Material	Foam rigid plastic, stainless, brass
Dimensions	φ48.6mm x 107mm(L), φ1.9" x 4.2" (L)
Weight	82.3g (air) / approx.buoyancy 84g (u/w) 2.9oz (air) / approx.buoyancy 3.0oz (u/w)
Compatible arm	Stick Arm S/M Body, Multi Ball Arm ML/L Body, Stick Arm L Body (Maximum 2 x Stick Arm Float S can be attached), Multi Ball Arm LL/XL Body (Maximum 2 x Stick Arm Float S can be attached) (Stick Arm XS/SS Body and Multi Ball Arm SS/S Body is not compatible)