

INON

Safety Precautions

- Before using your flashlight, please ensure that you have read and understood the safety precautions described below and separate 「user manual」 / 「Measures to Prevent Accidental Flooding」. Please keep these documents handy for easy reference.
- The safety precautions are intended to instruct you in the safe and correct operation of the strobe to prevent injuries or damage to yourself, other persons and equipment.
- The symbols and their significance are described below.



DANGER

Failure to observe the precautions indicated by this symbol may lead to high possibility of serious injury or death.



WARNING

Failure to observe the precautions indicated by this symbol may lead to possibility of serious injury or death.



CAUTION

Failure to observe the precautions indicated by this symbol may have the possibility of resulting in possibility of injury or property damage..



WARNING

Do not turn on the flashlight in front of person's eye (particularly an infant).

The flashlight may cause irreparable injury to the eyes or cause temporary visual impairment.

Always use heat-safe gloves when using the flashlight on land

to avoid burns including low temperature burns where you do not feel so hot.

Do not use the flashlight in a place where it may be exposed to flammable or explosive gas.

Otherwise fire ignition or explosion may result.

Turn OFF the flashlight when not in use.

Remove batteries immediately after exhaustion.

Batteries could produce flammable gas causing the flashlight to explode. Storing the flashlight with batteries for extended periods of time could cause batteries to leak, overheat or explode which may result in fire, injury or damage to other property.

When turn OFF the flashlight, turn the switch completely until it stops.

Remove batteries when not using the flashlight for extended periods of time.

Unexpected activation of the flashlight by vibration etc. could cause fire or injury.

Storing the flashlight with batteries for extended periods of time may cause batteries to leak, overheat or explode which may result in fire, injury or damage to other property.



WARNING

Never attempt to modify the flashlight or disassemble the light head to avoid malfunction, damage or flooding, which could lead to injury.

Prevent water from entering the flashlight to avoid malfunction, damage or flooding, which could lead to injury.

Always check O-rings, batteries and flashlight operation before using to avoid flooding, malfunction and unexpected deactivation of the product due to battery exhaustion, which could lead to an accident.

Stop operating and turn off the flashlight immediately if any water is observed inside flashlight or flashlight operates improperly.

Flammable gas may build up and cause explosion of the product, which may result in serious injury. Remove batteries being careful to avoid electrical shocks or burns. Contact your local dealer for repair.

Do not use flammable solvent containing alcohol, benzene or thinners, oil and fat containing/chemical material like organic solvent, rust inhibitor, lubricant, polish, or alkaline detergent to clean the flashlight.

The use of these substances may lead to fire, explosion or damage to the flashlight.

Keep the flashlight out of reach of children.

Their inability to read and understand warnings may lead to serious injury. They may swallow parts of the strobe or batteries. See a doctor immediately if a child swallow parts or batteries.

The high-voltage circuitry in the strobe may lead to electric shock and /or injury regardless of whether the strobe is equipped with batteries or not. Stop using the strobe immediately and take out the batteries.

Contact your local INON Authorized Dealer for repair.



CAUTION

Do not apply strong vibration or shock to the flashlight by dropping or hitting it against something.

Damage to the flashlight could cause malfunction or flooding possibly leading to injury or fire. Strong vibration/shock could deform batteries or damage battery case causing battery to leak or to generate heat resulting in fire or injury.

Do not “jump” into the water with the flashlight or other photographic equipment to avoid injury which may be caused by malfunction, flooding or unexpected movement of equipments.

Do not leave/store the flashlight in a place subject to strong sunlight or high temperatures, such as a beach, the deck of a boat, dashboard or trunk/boot of a vehicle.

Otherwise damage to the flashlight may result in injury, fire or malfunction.

Partially unscrew the Light Head or remove it for flying or traveling to other areas with lower air pressure than sea level (traveling across mountains for example) to avoid damage to waterproof integrity which may result in flooding or injury.



DANGER

Do not use batteries other than batteries specified in user manual.

[Compatible batteries]

- Panasonic AA “eneloop pro” rechargeable battery (BK-3MCC) [recommended] , Panasonic AA “eneloop pro” rechargeable battery (BK-3HCC / BK-3HCD) [recommended] , and (“eneloop” type) “new generation” NiMH battery with same performance
- “Conventional” NiMH battery (1.2V) other than above [good quality]
- AA Alkaline (1.2V) [good quality]
- AA Lithium (1.5V) [good quality]

Do not use any battery which you observe irregularity including leakage, deformation, discoloration or damage on battery jacket etc.

Do not throw a battery in a fire or heat it. Never attempt to disassemble or short-circuit a battery.

Do not immerse battery in water or allow it to get wet.

Do not mix old and new batteries, recharged and discharged batteries or batteries of different capacities, types, brand or manufacturer.

Do not attempt to recharge non-rechargeable batteries.

Be sure to recharge rechargeable batteries with specified battery charger. Follow battery and battery charger instruction manual.

Do not load batteries with the +/- battery terminal reversed

Follow any other instructions indicated in the battery/battery charger user manual.

Dispose batteries in accordance with all applicable federal, state and local regulations.

If the battery should leak and the inner liquid contacts skin or eyes, immediately wash with a lot of fresh water and seek medical advice.

As of November, 2020

INON LE330h Light Head

Thank you for purchasing INON product.

This product is a service part for INON **LE330h** and optional light head for **LE250/LE330h/LE350/LE550-S/LE550-W/LE600h-S/LE600h-W/LE700-S/LE700-S Type2/LE700-W/LE700-W Type2** to replace with their original light head to use them as **LE330h** equivalent product.

This unit is not usable as stand alone and has to be properly assembled with compatible LE series LED flashlight battery box in exchange with pre-installed light head. Be sure to read this manual and relevant documents to ensure you proper operation of the product.

Package contents :	• LE330h Light Head	×1
	• This instruction manual	×1
	• LE330h 「User Manual」	×1
	• LE330h 「Safety Precautions」	×1

Standard packaged accessory of the 「LE330h」(「W50° Filter LE」/「Red Filter LE」/「INON Grease」 etc.)is not included and optionally available.

Compatible LE series LED Flashlight (compatible "battery box unit" to attach this unit) :

- INON LE250 (3xAA Battery Box Unit)
- INON LE330h (3xAA Battery Box Unit)
- INON LE350 (3xAA Battery Box Unit)
- INON LE350 Type2 (3xAA Battery Box Unit)
- INON LE550-S (3xAA Battery Box II Unit)
- INON LE550-W (3xAA Battery Box II Unit)
- INON LE600h-S (3xAA Battery Box III Unit)
- INON LE600h-W (3xAA Battery Box III Unit)
- INON LE700-S (3xAA Battery Box II Unit)
- INON LE700-W (3xAA Battery Box II Unit)
- INON LE700-S Type2 (3xAA Battery Box II Unit)
- INON LE700-W Type2 (3xAA Battery Box II Unit)

This unit is for 3 x AA operated LE250, LE330h, LE350, LE350 Type2, LE550-S, LE550-W, LE600h-S, LE600h-W, LE700-S, LE700-S Type2, LE700-W, and LE700-W Type2 but not usable for LF series LED flashlights or LE series flashlight (LE240) which runs by 2 x AA batteries.

Handling Precautions:

- Before shipping this product has been tested its water-proof property by manufacture with special jig tool. However you have to take full responsibility on assembling with a battery box unit to ensure water-proof property as whole LED flashlight since assembly with a battery box unit is done by a customer and INON INC. are unable to check how you assemble nor conduct pressure test of the assembled unit. Please be sure to read relative user manual/instruction manual carefully and follow them to ensure you with proper assembling. Before using assembled unit, we would recommend to conduct leak test as necessary.

INON INC. can not take any responsibility for any problem resulting from assembly of this unit.. Please contact purchasing dealer before assembling if you are not fully confident in installing this unit on your battery box unit.

- Before assembling, be sure to read though the LE330h "**Safety Precautions**" comes with this product to be familiar with warnings/cautions.
- Refer to the LE330h "User Manual" **comes with this product** and "**Measures to Prevent Accidental Flooding**" **comes with your LE series LED flashlight** to see how to assemble, use and conduct maintenance.

When you install this unit on **LE550-S/LE550-W/LE600h-S/LE600h-W/LE700-S/LE700-S Type2/LE700-W/LE700-S Type2** and conduct maintenance of the battery box, make sure to refer to respective user manual (user manual of the **LE550-S, LE550-W, LE600h-S, LE600h-W, LE700-S, LE700-S Type2, LE700-W or LE700-W Type2**) since the battery box maintenance procedure is different between **LE250/LE330h/LE350/LE350 Type2** and **LE550-S/LE550-W/LE600h-S/LE600h-W/LE700-S/LE700-S Type2/LE700-W/LE700-S Type2**.

- Do not disassemble this unit to prevent malfunction/flooding.

INON INC. 2-18-9 Dai, Kamakura, Kanagawa 2470061 Japan
E-mail support@inon.co.jp /
Fax.+81(0)467-48-2178

INON

INON LE330h

Thank you for purchasing INON product.

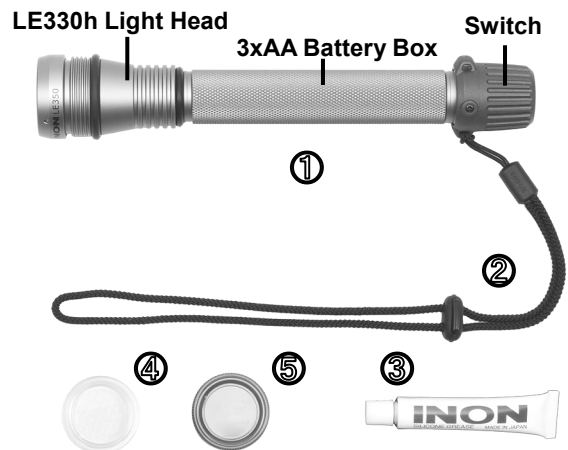
The INON LE330h is a watertight LED light equipped with high-intensity power LED producing powerful 330 lumen intensity and 30° coverage at color temperature approx.6500K in its compact body.

Before using, please read through this user manual and separate papers “Safety precautions”/“Measures to Prevent Accidental Flooding” to ensure proper operation of the product.

Features

- Usable in various field including land use with native color temperature approx.6500K to reproduce natural color in addition to a diving light carrying 120m depth rating by its durable corrosion-resistant aluminum alloy and double O-ring construction for moving parts.
- Color temperature is approx. 6500K making it easier to reproduce natural color when mixing with ambient light or strobe light comparing to warmer color temperature torch.
- Operated by easily obtainable 3 x AA batteries. Compatible batteries including “eneloop”/“eneloop pro” etc. support approximately 170 minutes continuous operation* underwater at minimal running cost.
*Average time to get half brightness comparing to initial performance when using “eneloop pro” batteries [Model code: BK-3HCD].
- The packaged **W50° Filter LE** carries fly-eye lens structure to widen beam coverage effectively to approx. 60° for photography/videography from standard beam angle approx. 30°. The packaged **Red Filter LE** is for shy underwater creatures not stimulating them.
- Wide variety of optional accessories are available including “Light Holder” products to attach this product on your camera/video system.
- Light Head is interchangeable with other compatible model to provide flexible usages.

Package contents :	<ul style="list-style-type: none"> • LE330h ① x1 • LE330h Light Head x1 • 3xAA Battery Box Unit x1 • { 3xAA Battery Box } x1 • Switch x1 • Hand Strap ② (preinstalled on ①) x1 • INON Grease ③ x1 • W50° Filter LE ④ x1 • Red Filter LE ⑤ x1 • This user manual x1 • Safety Precautions x1 • Measures to Prevent Accidental Flooding x1 • User manual of filters x1
---------------------------	--



Preparation : **Prepare compatible batteries**

Following 4 types are compatible with this product (*1). Prepare 『three』 batteries (same type/model) from same battery manufacture.

- 1) **Panasonic AA “eneloop” rechargeable battery (BK-3MCC)[recommended], Panasonic AA “eneloop pro” rechargeable battery (BK-3HCC/BK-3HCD)[recommended], and equivalent (“eneloop” type) “new generation” NiMH battery (*2)**
- 2) **AA “conventional” NiMH rechargeable battery other than above (1.2V) [good quality] (*3)(*4)**
- 3) **AA Alkaline battery (1.5V) [good quality] (*4)**
- 4) **AA Lithium battery (1.5V) [good quality] (*4)**

*1 Other batteries are **not** usable such as AA Manganese battery or AA Oxyride battery etc. Make sure to follow precautions of handling batteries described in separate「Safety Precautions」.

*2 Including “new generation” NiMH batteries (“eneloop” type) carrying less self-discharging and heat generating characteristic comparing to “conventional” or “high-capacity” NiMH battery.

*3 Some “conventional” or “high-capacity” NiMH rechargeable batteries have significant self-discharge and heat-generating characteristic resulting difficulty to keep their performance during usage. We recommend using recommended batteries.

*4 Run time very much depends on battery characteristic, quality. Make sure to use quality battery supporting continuous discharge of large current not to have battery leakage as well.

(continued)

Separate LE330h Light Head and 3xAA Battery Box Unit

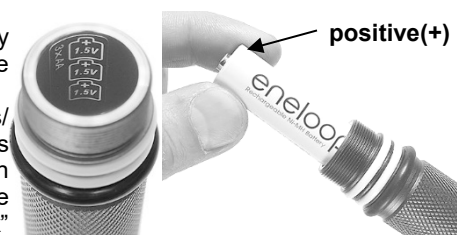
Holding the "3xAA Battery Box Unit" firmly, **turn OFF the LE330h** by slowly rotating the "switch part" counterclockwise until it has been stopped. **Then slowly turn the "LE330h Light Head" counterclockwise** to remove the unit from the 3xAA battery box unit. To keep waterproof property, make sure slowly turn the switch/LE330h Light Head to prevent O-ring from being damaged/twisted.

Install Batteries after Checking O-ring etc.

Check conditions of O-rings etc. and conduct leak test if necessary to ensure waterproof property in accordance with separate paper "**Measures to Prevent Accidental Flooding**".

Next, conduct maintenance of battery terminals and terminals/contacts on the LE330h in reference to "Terminals/Contacts Maintenance" section of this user manual. Then install batteries in the "3xAA Battery Box" with correct orientation as shown in image right and indicated on a sticker inside of the "3xAA Battery Box" [positive(+) terminal towards to the Light Head and negative (-) terminal towards to the Switch].

Also make sure to follow any handling precautions on battery mentioned in separate "**Safety Precautions**".

**Attach the LE330h Light Head**

Apply thin film of INON grease on the thread part of the 3xAA Battery Box to prevent salt build-up or electric corrosion causing to anchoring between the "LE330h Light Head" and the "3xAA Battery Box Unit". Do not put grease on electrical contacts to avoid bad connection.

Make sure the LE330h is OFF once again at this stage, then **slowly screw the LE330h Light Head onto the 3xAA Battery Box until it has been stopped** with holding the 3xAA Battery Box firmly.

To keep waterproof property, make sure slowly turn the switch/LE330h Light Head to prevent O-ring from being damaged/twisted.

**Attach an Accessory as necessary**

Attach **W50° Filter LE** or **Red Filter LE** if necessary. Refer to respective user manual for detail.

Red Filter LE is dedicated for underwater use and not usable on land.

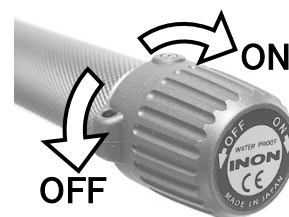
Operation

ON/OFF the LE330h

To turn OFF the LE330h, slowly turn the Switch counterclockwise with holding the "3xAA Battery Box" securely until it has been lightly stopped and slowly turn the Switch clockwise until it has been lightly stopped to turn ON the LE330h.

Make sure to turn all the way to the either end to turn ON/OFF the LE330h. Any position except ON/OFF may possibly cause unstable operation like unexpected ON/OFF or flicking of the LE330h.

To keep waterproof property, make sure slowly turn the switch/LE330h Light Head to prevent O-ring from being damaged/twisted.

**Change/Remove Batteries**

The LE330h must be dry to change/remove batteries in accordance with above "Preparation" section.

If even a small amount of water contacts inside "LE330h Light Head" or contacts/terminals for short period of time, there will be corrosion of contact points or cause short circuit, and the LE330h may become inoperable.

Changing/removing batteries is not recommended if the LE330h is not completely dry. If you have to change/remove battery before drying the LE330h, follow procedure below;

- 1) Thoroughly wash the LE330h in fresh water and wipe off water drops with an air blower etc. in reference to "Maintenance" section.
- 2) Hold the LE330h with facing up so that no water droplets can enter inside the "LE330h Light Head" or drip on contacts/terminals.
- 3) Slowly unscrew the "LE330h Light Head" with facing it up to prevent water from getting in to take out batteries.

Maintenance

Rinse and Dry Completely

After dive soak the LE330h in fresh water for several hours (water temperature should be 0°C~+30°C/32°F~86°F) **without any filter** to remove salt etc. Slowly turn the Switch to remove trapped salt etc. but DO NOT turn the "LE330h Light Head" underwater.

Then wipe off water droplets by an air blower etc. and dry the product completely in shaded and well ventilated area (it may take several days completely dry).

Remove Batteries and Check/Clean/Grease Thread Part/O-rings etc.

Make sure that the LE330h is completely dry, remove batteries in reverse procedure to loading batteries explained in "Preparation" section

Separate the "LE330h Light Head" and the "Battery Box" in accordance with "Preparation" and check/clean/grease O-rings, O-ring grooves, O-ring contact surfaces and thread parts of the "LE330h Light Head"/"Battery Box" in reference to separate paper "**Measures to Prevent Accidental Flooding**".

Storage

Make sure to remove all batteries, then store in shaded and well-ventilated area within temperature range of [0°C~30°C/32°F~86°F].

Avoid storing near chemicals, high ozone, large temperature and humidity fluctuations (even in the temperature range described above) and magnetic fields (TV sets etc.) to prevent the product from possible malfunction and flooding.

- Handling precautions:**
- DO NOT disassemble the “LE330h Light Head” to avoid malfunction/flooding.
 - Protect from impact shock and vibration, such as vibrating boat deck to avoid accidental damage not only on this product but also on batteries.
 - Prevent sands or foreign substances from entering between the 3xAA Battery Box and the Switch to avoid malfunction/flooding etc.
 - Do not leave the product to extreme heat, such as inside of a sun-heated car or in front of a heater, or in hot direct sunlight, such as a beach or boat deck to avoid malfunction/flooding etc.
 - The LE330h is designed to withstand external pressure (water pressure), but not internal pressure (when ambient air pressure decreases). When traveling to or from high altitudes, including travel on an aircraft, always remove or loosen the “LE330h Light Head”.
 - Always hold the “3xAA Battery Box” instead holding the “LE330h Light Head” to prevent accidental loosening of the “LE330h Light Head” leading to flooding.
 - Make sure to use heat-safe gloves etc. for land use of this product. The “LE330h” surface and “3xAA Battery Box” surface could have heat more than 40°/104°F causing personal injury like low temperature burn.
 - Follow any other handling instructions/precautions explained in separate paper */Safety precautions/*.
 - When turn OFF this product, **always turn counterclockwise all the way to the end. Unload all batteries** when not in use including during transportation to avoid accidental malfunction/fire/personal injury resulting from unexpected activation of this product by vibration etc.

- Battery**
- As batteries have been used, battery voltage gradually decreases making the LE330h intensity gets dark little by little. The rated continuous operable time is the duration to get half brightness comparing to initial performance.
 - In general, battery performance will decrease as temperature lowers, voltage will recover when not in use and batteries will slowly discharge over time when not used. And, usable time can greatly vary depending on water temperature and how the batteries are used etc. **We recommend replacing with sufficiently charged batteries even before they have been fully drained or carrying spare LE330h to avoid battery run out in the middle of a dive especially for night dive.**
 - Some NiMH batteries have high self-discharge rates and will begin to decrease their performance (intensity/continuous operable time etc.) immediately after charging. So we recommend using those NiMH batteries within one day after charging.
 - Also their performance will decrease gradually with repeated charging and discharging, even within the possible number of charge-discharge cycles stated on the product package. When you observe less intensity/continuous operable time even with fully-charged (or refreshed) batteries, we recommend to change all batteries.
 - Together with these guidelines, be sure to read and understand **[Safety Precautions]** and any instructions that come with your batteries(rechargeable batteries/battery charger) and comply with any battery manufacturer requirements to ensure proper operation.

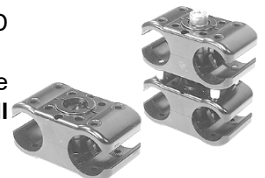
- Options**
- **Quick Holder Set S-LE**
Optional product to attach/remove single INON LE series LED flashlight including this product on “YS Adapter compatible arm” instantly (A set of **Quick Holder LE** and **Quick base S**).
Especially for handy and compact camera system set-up with **INON Shoe Base**.



- **Single Light Holder LE**
Optional product to attach single INON LE series LED flashlight including this product on “YS Adapter compatible arm”.
Especially for handy and compact camera system set-up with **INON Shoe Base**.



- **Double Light Holder LE** (left in the image)
- **Quad Light Holder LE** (right in the image)
Optional product for sole use underwater to attach two or four INON LE series LED flashlights including this product on compatible lighting arm.
Together with the **Z Joint**, this product is directly attached on “YS Adapter compatible arm” including **Shoe Base** etc. Combination with the **Z Adapter MV/Z Adapter II** enables to attach on INON “Arm System” with **Clamp III**.



Double Light Holder LE : Holds two INON LE series LED flashlights

Quad Light Holder LE : Holds two or four INON LE series LED flashlights

- **Strobe Light Holder LE**
Optional product to attach one or two INON LE series LED flashlight on compatible lighting arm together with INON **S-2000**, **D-200** or **Z-330** etc. Together with the **Z Joint**, this product is directly attached on “YS Adapter compatible arm” including **Shoe Base** etc. Combination with the **Z Adapter MV/Z Adapter II/Z Adapter** enables to attach on INON “Arm System” with **Clamp III**.



(continued)

- Z Joint
Optional product to attach **Double Light Holder LE/Quad Light Holder LE/Strobe Light Holder LE** on "YS Adapter compatible arm".



- Z Adapter MV
Optional product to attach **Double Light Holder LE/Quad Light Holder LE/Strobe Light Holder LE** on INON "Arm System" with **Clamp III**.
The plastic ball-joint provides flexible strobe positioning even without loosening the **Clamp III** to make it easy to adjust strobe/LED flashlight aiming.



- Z Adapter II
Optional product to attach **Double Light Holder LE/Quad Light Holder LE/Strobe Light Holder LE** on INON "Arm System" with **Clamp III**.
The ball-joint is made from metal to firmly fix strobe position by lightly clamp the **Clamp III** (it is necessary to loose the **Clamp III** to adjust strobe/LED flashlight aiming).



Bar Mount

Optional product to attach INON LE series LED flashlight including this product on a bar ($\phi 22.2 \sim \phi 31.8\text{mm}$) via **Quick Holder Set S-LE, Single Light Holder LE or Strobe Light Holder LE + Z Joint**. Compatible LED flashlight is attached on a handle of a bicycle to use as a back-up light.



- Spare O-ring Set (LE)
Set of two yellow oil-bearing O-rings.
Usable for Light Head and Switch. Refer to "Measures to Prevent Accidental Flooding" for detail.
- INON Grease
③ in the product image.
- W50° Filter LE
④ in the product image.
- Red Filter LE
⑤ in the product image.



- Color Filter LE Set (underwater use only)
Optional filter package includes below five different filters* to widen the beam angle to 60° and change color tone to suits to your camera system, shooting situation and personal preference.
*W50° Red Filter LE, W50° Pink Filter LE, W50° Orange Filter LE, Pink Filter LE and Orange Filter LE



- LE600h-S Light Head
Optional Light Head for INON **LE600h-S** which produces powerful 600lm/6500K with 30 degree coverage depending on usage. This Light Head is interchangeable with the original **LE330h Light Head** for other application.
- LE600h-W Light Head
Optional Light Head for INON **LE600h-W** which produces powerful 600lm/6500K with 75 degree coverage best match as video light. This Light Head is interchangeable with the original **LE330h Light Head** for other application.

Terminals/Contacts: Maintenance

With the increased capacity, improved performance, and longer lifespan of different types of rechargeable batteries, it is possible for the performance of the LE330h to become unstable, e.g., the battery may become unable to be recharged due to bad contacts, caused by dirt or oxidation of the terminal surface of the rechargeable battery itself in addition to "LE330h Light Head" terminal/contact/"3AA Battery Box" terminal/contact. For rechargeable battery terminals, it is difficult to distinguish through visual inspection of the terminal surface. As some rechargeable batteries can cause the above problems immediately after purchase because the terminal surface has already been oxidized, it is recommended to inspect and perform maintenance periodically on the rechargeable battery terminals and LE330h terminals/contacts, by following the procedures described on the following page.

● **Battery Terminals/"LE330h Light Head" Terminal**

Conduct following maintenance within limitations/precautions described in battery instructions etc. if maintenance is necessary considering terminal conditions/performance of this product.

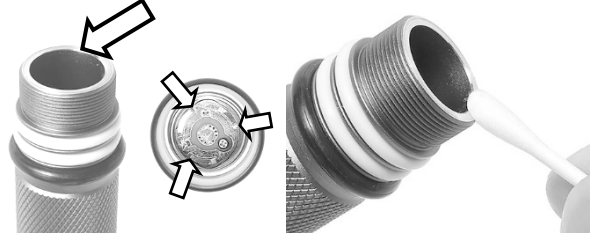
- 1) Wipe each terminal surface with a dry soft cloth/clean cotton swab (or similar) to remove any oil or similar residue.
- 2) If above step does not fully clean the terminal, dap a small amount of silver polish on a cotton swab (or similar) and wipe terminal surface until fully clean. Then clean off any 『silver polish』 residue with a clean swab.



● **"LE330h Light Head" Contacts/"3xAA Battery Box Unit" Contacts**

Conduct following maintenance if maintenance is necessary considering contacts' conditions/ performance of this product. (Once per 200 – 300 "LE330h Light Head" removals would be rough indication).

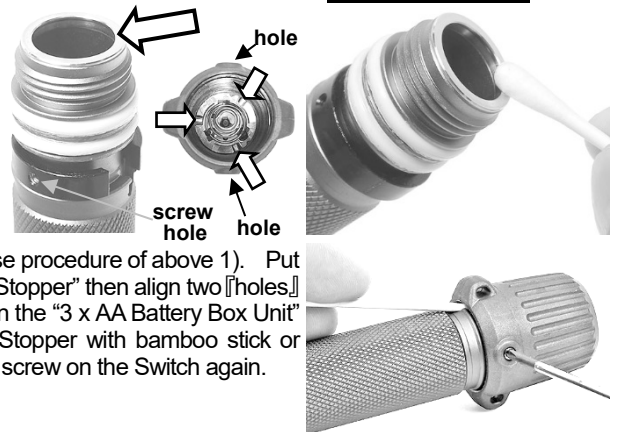
- 1) Wipe each contact surface with clean cotton swab (or similar) to remove any oil or similar residue.
- 2) If above step does not fully clean the contact, dap a small amount of grease on a cotton swab (or similar) to apply thin film of grease on the contact of the "3x AA Battery Box Unit" evenly then attach/remove the "LE330h Light Head" about 10 times to suspend oxide and residue etc. Remove the "LE330h Light Head" once again and clean contacts of the "3x AA Battery Box Unit"/"LE330h Light Head" completely with clean cotton swab etc.



● **"Switch" Contact (Not mandatory)**

This maintenance may be necessary only for high frequent users when significant blinking is observed during switch operation. In this case you can conduct following maintenance if you are confident to disassemble/re-assemble properly or contact your purchasing dealer for servicing. **INON INC. can not take any responsibility for any damage resulting from this maintenance, so please DO NOT conduct this maintenance unless you are fully confident on this maintenance.**

- 1) First remove two screws on the "Switch" then slowly turn the "Switch" counterclockwise to take it off.
- 2) Follow same procedure of above maintenance method on the "LE330h Light Head" contacts to conduct maintenance for contacts of "3xAA Battery Box"/"Switch". It is not necessary to clean the coil spring battery terminal on the "Switch".
- 3) Check and conduct maintenance on O-rings if it is necessary then re-assemble the "Switch" taking reverse procedure of above 1). Put little amount of INON grease in two screw holes on a "Stopper" then align two 『holes』 on the "Switch" and two screw holes on the Stopper on the "3 x AA Battery Box Unit" then fix the "Switch" with two screws. Holding the Stopper with bamboo stick or similar makes it easier to align screw holes during you screw on the Switch again.



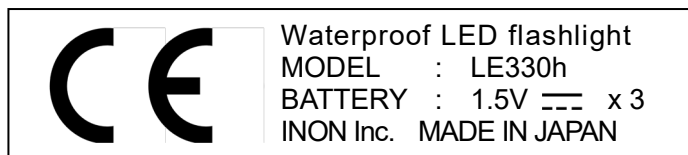
INON Waterproof LED Light LE330h Specifications (*1)

LED	High-intensity Power LED (Cree XM-L2™T6™)
Luminous flux (*2)(*3)	330 lumen
Coverage	30° [without a filter and with packaged Red Filter LE]
	60° [with packaged W50° Filter LE]
Color Temp. (*3)	approx. 6,500K
Operable duration [air] (*4)(*6)	approx. 125 minutes ["eneloop" battery]
Operable duration [U/W] (*5)(*6)	approx. 160 minutes ["eneloop pro" battery]
LED life time	approx. 130 minutes ["eneloop" battery]
Working/Storage Temperature	approx. 170 minutes ["eneloop pro" battery]
	approx. 10,000 hours
	0°C~30°C/32°F~86°F

- *1) Subject change without prior notice
 *2) Nominal value calculated from LED manufacture specification sheet.
 *3) Due to individual variability of LED, drive circuit or battery etc., luminous flux, color temperature or intensity may vary within rated specification.
 *4) Average time to get half brightness when continuously turn ON the product with below listed batteries on land (approx. 20°C/68°F).
 • "eneloop" battery : Panasonic "eneloop", BK-3MCC, 1.2V, Min.1,900mAh
 • "eneloop pro" battery : Panasonic "eneloop pro", BK-3HCD, 1.2V, Min.2,500mAh
 *5) Average time to get half brightness when continuously turn ON the product with below listed batteries underwater (approx. 25°C/77°F).
 • "eneloop" battery : Panasonic "eneloop", BK-3MCC, 1.2V, Min.1,900mAh
 • "eneloop pro" battery : Panasonic "eneloop pro", BK-3HCD, 1.2V, Min.2,500mAh
 *6) Actual measured data by INON. The value may vary depending on product individual variability, battery manufacture/model, test condition.
 *7) "New generation" NiMH batteries carrying less self-discharging and heat generating characteristic comparing to "conventional" or "high-capacity" NiMH including listed batteries in right confirmed compatible by INON INC. as same as recommended [Panasonic "eneloop"/"eneloop pro" battery (BK-3MCC, BK-3HCC / BK-3HCD)].

Compatible Battery	AA "eneloop" / "eneloop pro" battery x 3 (*7)
	AA NiMH [good quality] x 3 (*8)(*9)
Depth rating	AA Alkaline battery [good quality] x 3 (*9)
	AA Lithium battery (1.5V) [good quality] x 3 (*9)
Size (*11)	120m / 394'(*10)
Weight (*11)	Max. diameter 33.7mm/1.3" x 197.5mm/7.8"
Material/Finishing	Air: 212.5g/7.5oz. Underwater: approx. 125g/4.4oz
Standard accessory	Corrosion resistant aluminum alloy/rigid almitite, PBT, Optical glass etc.
EMC standards	W50° Filter LE, Red Filter LE, Hand Strap, INON Grease
	EN 55015:2013, EN 61547:2009, AS CISPR 15:2017 CRF 47 FCC Part 15 Subpart A and B , ICES-003:2020(Issue 7)

- Panasonic Corporation Model name: eneloop [recommended] /Model code: BK-3MCC
 • Panasonic Corporation Model name: eneloop pro [recommended] /Model code: BK-3HCC / BK-3HCD
 • SANYO Electric Co.,Ltd Model name: eneloop [recommended] /Model code: HR-3UTG/HR-3UTGA/HR-3UTGB
 • SANYO Electric Co.,Ltd Model name: eneloop pro [recommended] /Model code: HR-3UMX
 • Sony Corp. Model name: Cycle Energy Blue/Model cod : NH-AA-2BKA, NH-AA-4BKA
 • Panasonic Corporation Model name: Rechargeable Ni-MH (AA)/Model code : HHR-3MPS
 • Maha Energy Corporation Model name: IMEDION/Model code : M-HRAA4
 • GP Batteries International Ltd Model name: ReCyko+ /Model code : 210AAHCBE
 • ANSMANN AG Model name: maxE/Model code : 5030991, 5030992, 5035052
 • ElectrochemAutomation Inc. Model name: NEXcell energy/ON/Model code : nia (AA2000mAh)
 *8) Some "conventional" or "high-capacity" NiMH rechargeable batteries have significant self-discharge and heat-generating characteristic resulting difficulty to keep their performance during usage. We recommend using recommended batteries.
 *9) Run time very much depends on battery characteristic, quality. Make sure to use quality battery supporting continuous discharge of large current not to have battery leakage as well.
 *10) Without operating the "Switch". INON has confirmed depth rating 84m/276' including switch operation.
 *11) Including 3 x AA "eneloop" batteries.



FCC Notice

This device complies with part 15 of the FCC Rules. Operation is subject to the following two conditions:

- (1) This device may not cause harmful interference, and
- (2) This device must accept any interference received, including interference that may cause undesired operation.

Information to user

The user that changes or modifications not expressly approved by the party responsible for compliance could void the user's authority to operate the equipment.

NOTE: This equipment has been tested and found to comply with the limits for a Class B digital device, pursuant to part 15 of the FCC Rules. These limits are designed to provide reasonable protection against harmful interference in a residential installation. This equipment generates, uses and can radiate radio frequency energy and, if not installed and used in accordance with the instructions, may cause harmful interference to radio communications. However, there is no guarantee that interference will not occur in a particular installation.

If this equipment does cause harmful interference to radio or television reception, which can be determined by turning the equipment off and on, the user is encouraged to try to correct the interference by one or more of the following measures:
 -- Reorient or relocate the receiving antenna.
 -- Increase the separation between the equipment and receiver.
 -- Connect the equipment into an outlet on a circuit different from that to which the receiver is connected.
 -- Consult the dealer or an experienced radio/TV technician for help.

CAN ICES-003(B) / NMB-003(B)

Notice
 This Class B digital apparatus complies with Canadian ICES-003.
 Avis
 Cet appareil numérique de la classe B est conforme à la norme NMB-003 du Canada.

INON INC. 2-18-9 Dai, Kamakura, Kanagawa, 247-0061

E-mail support@inon.co.jp Fax. +81(0)467-48-2178

URL <http://www.inon.jp/>

As of November 2020