

INON

INON XD Lens Holder M5 / XD Lens Holder S

Thank you for purchasing INON product.

INON XD Lens Holder is attached on compatible arm/Grip Base to carry XD Mount series attachment lens to help easy and speedy lens exchange underwater.

Package contents: XD Lens Holder M5

- XD Lens Holder [hole] ① x1
- M5x5 Cap Screw ② x1
- Allen Wrench (WAF: 4mm) ③ x1

XD Lens Holder S

- XD Lens Holder [Screw] ④ x1
- Lens Holder Base ⑤ x1
- M5x18 Thumbscrew ⑥ x1

Compatible products : Lens / accessory

- INON **XD Mount** series lens
- INON UFL-M150 ZM80 Underwater Micro Fisheye Lens + M27-XD Mount Converter for UFL-M150 ZM80
- INON M67 Mount series close-up lens + M67-XD Mount Converter

Arm

XD Lend Holder type differs among different strobe arm/Grip Base etc. to use. Please check if your XD Lens Holder is compatible with your strobe arm/Grip Base etc.

● **XD Lens Holder M5**

- INON Float Arm (S/M/ML), Mega Float Arm (S/M)
- INON Mega Float Tube (S/M) + Carbon Telescopic Arm (SS/S/M/L)
- INON M5 Joint + Stick Arm (SS/S/M/L)
- INON M5 Joint + Multi Ball Arm (ML/L/LL/XL)

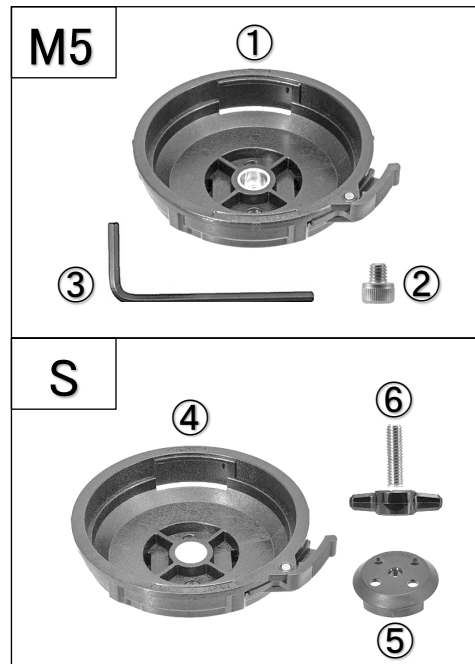
● **XD Lens Holder S**

- INON Arm (SS/S/M/L), YS Arm (MS/M)
- INON D Holder Extension Bar + Grip Base D4, Grip Base M1, D Holder
- INON Grip Base DII, Grip Base DIII

● **Compatible products to be sandwiched between XD Lens Holder S [screw] and XD Lens Holder M5 [hole]**

- INON Arm (SS/S/M/L), YS Arm (MS/M)

Any of compatible arm can be sandwiched between XD Lens Holder S [screw] and XD Lens Holder M5 [hole].
To assemble this combination, **optional M5 x 15 Cap Screw** is required.



How to install:**① Attach XD Lens Holder M5 on Float Arm, Mega Float Arm, Mega Float Tube**

Attach the XD Lens Holder [hole] on compatible product as shown in image (A) so that the Lens Holder base on the compatible product seats in groove of the XD Lens Holder [hole]. Then fix it by M5x5 Cap Screw supplied with XD Lens Holder M5 or compatible product (B).

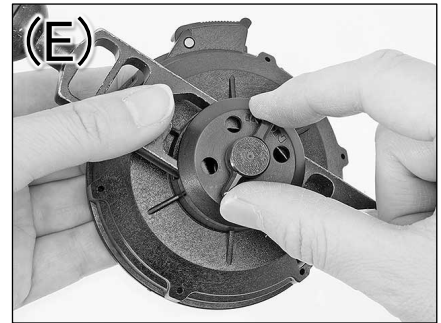
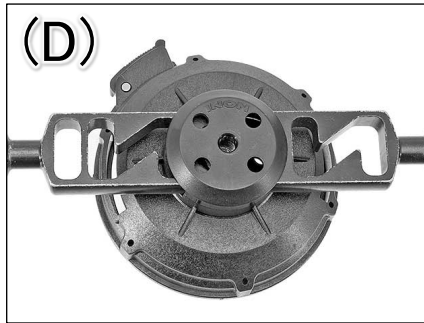
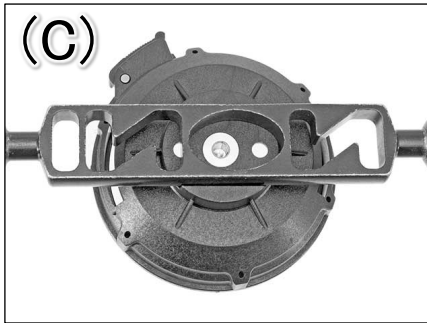
**② Attach XD Lens Holder M5 on M5 Joint attached on compatible products**

Refer to *M5 Joint* user manual for detail of installation and usage.

③ Attach XD Lens Holder S on Arm, YS Arm, Grip Base DII/DIII

Attach XD Lens Holder [screw] and the Lens Holder Base on compatible arm as shown in images (C),(D) so that the arm seats in groove between the lens holder and the base. *INON logo on the Lens Holder Base must face you (D). Then fix them with M5x18 Thumbscrew (E).

⚠ **DO NOT** tighten too much to avoid accidental damage on the XD Lens Holder.

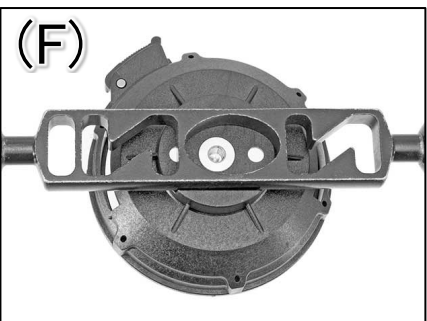
**④ Attach XD Lens Holder S on D Holder Extension Bar attached on compatible products**

Refer to *D Holder Extension Bar* user manual for detail of installation and usage.

⑤ Attach XD Lens Holder [screw] and XD Lens Holder [hole] on Arm, YS Arm

Attach the XD Lens Holder [screw] and the XD Lens Holder [hole] on compatible arm as shown in images (F),(G) so that the arm seats in groove between the two parts. *XD Lens Holder [hole] must face you (G). Then fix them with optional M5x15 Cap Screw by using Allen Wrench (H).

⚠ **DO NOT** tighten too much to avoid damage on the XD Lens Holder.

**Lens installation:**

Follow same procedure to attach on XD Mount. Refer to XD Mount series lens user manual for detail. When you read the manual, interpret "**Guide A [XD Mount]**" as "**Guide A [XD Lens Holder]**".

INON Inc.

2-18-9, Dai, Kamakura

Kanagawa 247-0061

E-mail support@inon.co.jp

Fax. +81(0)467-48-2178

URL <http://www.inon.jp/>

October 2021