

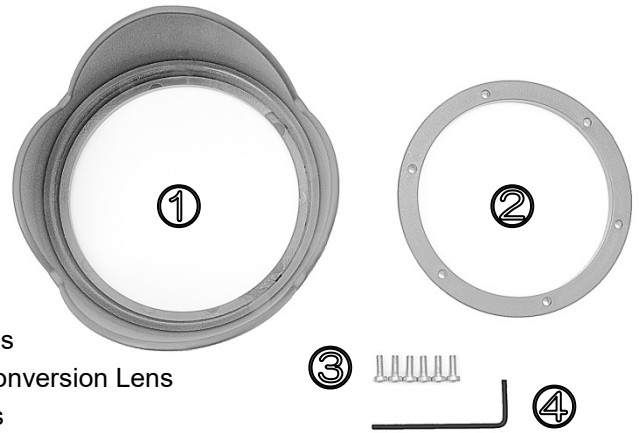
INON

INON Lens Hood II

Thank you for purchasing INON products.

The INON *Lens Hood II* is designed for INON *UWL-95 C24* and *UWL-H100* series wide lenses to suppress ghost/flare when shooting wide image especially in backlit condition and to protect the lens surface/front lens frame.

- Package contents:**
- Lens Hood II ① x1
 - Lens Hood II Retaining Ring ② x1
 - M3 x 8 Socket Button Screw ③ x6
 - Allen Wrench (2.0mm WAF) ④ x1
 - This user manual x1



- Compatible lens :** (as of August 2020)
- INON *UWL-95 C24 M52* Wide Conversion Lens
 - INON *UWL-95 C24 M67 Type1/Type2* Wide Conversion Lens
 - INON *UWL-H100 28LD* Wide Conversion Lens
 - INON *UWL-H100 28M67 Type1/Type2* Wide Conversion Lens

Installation :

• Preparation of lens

Attach lens cap [subject side] on the lens and put it on a desk as shown in the right image and put grease (grease for an underwater housing) in six screw holes by a toothpick etc.

• How to attach the Lens Hood

- Place the *Lens Hood II* over the lens with shades facing down.
- Put the *Lens Hood II Retaining Ring* on the *Lens Hood II* so that its flat surface facing up and screw holes matches to screw holes of the lens.
- Put six button screws in screw holes and partially tighten them by supplied Allen Wrench.
- Install the lens on compatible housing/camera then adjust large flange position at 6 and 12 o'clock
- Fix the *Lens Hood II* position by tightening a couple of cap screws little further.
(⚠ DO NOT tighten too much to prevent accidental damage on the *Lens Hood III/Lens Hood II Retaining Ring*)
- Remove the lens from the housing/camera and tighten all six cap screws completely alternating between screws opposite each other diagonally with supplied Allen Wrench.
(⚠ Make sure to tighten all screws evenly without overtightening)



(continued)

After installing the combined lens on a compatible underwater housing, the large flanges of this product have to be on 6 and 12 o'clock position as in the right image. If you observe any other position of large flanges after the installation, reassemble the *Lens Hood II* again according to the previous section. Refer to user manual of combined lens for detail of the installation method of the lens on compatible housing/camera.



Maintenance

- Clean and dry after each use following maintenance procedure explained in the combined lens instruction manual. There is no need to detach the *Lens Hood II* from combined lens after each use.
- When removing the *Lens Hood II* from combined lens, follow reverse procedure of installation. Then apply grease in screw holes of the lens.

Options

- *Front Cover 110*
Cylindrical neoprene cover (dia. 110 mm/4.3 in) fit to a wide lens installed with the *Lens Hood II*. Usable both on land/underwater to protect lens surface whenever not shooting.
- *UFL-165AD Neoprene Carry Pouch*
A neoprene carry pouch usable both on land/underwater. Carrying a lens in this pouch when not in use avoids accidental damage on the lens



INON Inc.

2-18-9, Dai, Kamakura
Kanagawa 247-0061
E-mail support@inon.co.jp
Fax. +81(0)467-48-2178
URL <http://www.inon.jp/>

August 2020