

INON

INON M67 Lens Holder S / M67 Lens Holder W / M67 Lens Holder for Float Arm

Thank you for purchasing INON product.

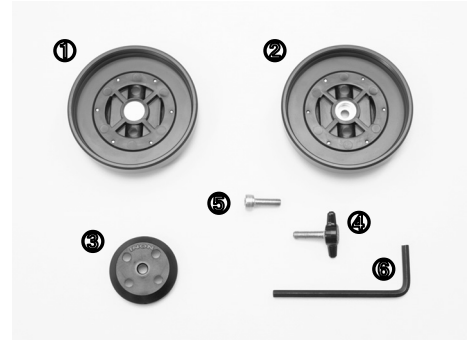
INON M67 Lens Holder is attached on compatible strobe arm / Grip Base to carry M67 mount series attachment lens to help easy and speedy lens replacement underwater.

Features

- M67/pitch0.75 screw mount (M67 Mount) compatible. Carries INON M67 mount series lens on compatible Arm body / YS Arm Body / Float Arm body / Grip Base.

- Package contents:**
- M67 Lens Holder [screw] ① ×1 (S/W* only)
 - M67 Lens Holder [hole] ② ×1 (W/F* only)
 - M67 Lens Holder Base ③ ×1 (S/W* only)
 - Thumb Knob Screw ④ ×1 (S/W* only)
 - Cap Screw ⑤ ×1 (W* only)
 - Allen Wrench ⑥ ×1 (W/F* only)
 - This user manual ×1

**S" stands for "M67 Lens Holder S", "W" for "M67 Lens Holder W" and "F" for "M67 Lens Holder for Float Arm"



Compatible arm (as of August 2009)

- M67 Lens Holder type is differ among different strobe arm / Grip Base etc. to use. Please check if your M67 Lens Holder is compatible with your strobe arm / Grip Base etc. before installation. Compatible products are categorized as below based on 1) expandable M67 Mount per unit and 2) maximum mountable number of this unit per compatible product. Maximum number of compatible M67 attachment lens per single strobe arm/Grip Base etc. can be calculated by "1) x 2)".

● [1] M67 Lens Holder S / M67 Lens Holder W compatible products

- Group ①
 - 1) One M67 Mount per single unit (M67 Lens Holder S or W)
 - 2) Maximum one M67 Lens Holder S or W per Grip Base
 - **【Maximum mountable lens is one】**
 - INON Grip Base DII with Rubber Grip D, Grip Base DIII with Rubber Grip D
 - INON D Holder Extension Bar + Grip Base D4
 - INON D Holder Extension Bar + D Holder
- Group ②
 - 1) One M67 Mount per single unit (M67 Lens Holder S)
 - 1) Maximum two M67 Mounts per single unit (M67 Lens Holder W)
 - 2) Maximum one M67 Lens Holder S or W per arm
 - **【Maximum two lenses can be carried】**
 - INON Arm SS body
 - INON Arm S body
 - INON YS Arm MS body
- Group ③
 - 1) One M67 Mount per single unit (M67 Lens Holder S)
 - 1) Maximum two M67 Mounts per single unit (M67 Lens Holder W)
 - 2) Maximum two M67 Lens Holder S or W per arm
 - **【Maximum four lenses can be carried】**
 - INON Arm M body
 - INON YS Arm M body
- Group ④
 - 1) One M67 Mount per single unit (M67 Lens Holder S)
 - 1) Maximum two M67 Mounts per single unit (M67 Lens Holder W)
 - 2) Maximum three M67 Lens Holder S or W per arm
 - **【Maximum six lenses can be carried】**
 - INON Arm L body

● [2] M67 Lens Holder for Float Arm / M67 Lens Holder W compatible products

- Group ⑤
 - 1) One M67 Mount per single unit (M67 Lens Holder for Float Arm / M67 Lens Holder W)
 - 2) Maximum two M67 Lens Holder for Float Arm or W per float arm
 - **【Maximum two lenses can be carried】**
 - INON Float Arm S body
 - INON Float Arm M body
 - INON Float Arm ML body
 - INON Mega Float Arm S body
 - INON Mega Float Arm M body

How to use

- Attach one M67 Mount on compatible product in Group ①~④ 【M67 Lens Holder S/W】**
 Attach the M67 Lens Holder [screw] and the M67 Lens Holder Base on compatible arm as shown in images below so that the arm seats in groove between the lens holder and the base. *INON logo on the M67 Lens Holder Base must face you. Then fix them by the Thumb Knob Screw. Refer to 「D Holder Extension Bar」 user manual for detail of using with the 「D Holder Extension Bar」.



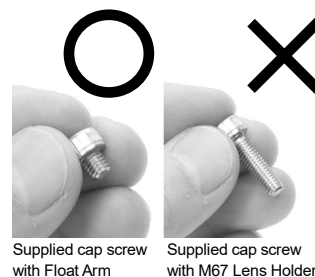
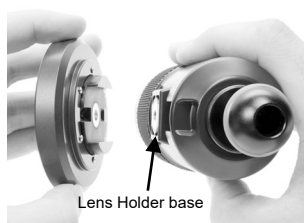
- Attach two M67 Mounts on compatible product in Group ②~④ 【M67 Lens Holder W only】**
 Attach the M67 Lens Holder [screw] and the M67 Lens Holder [hole] on compatible arm as shown in images below so that the arm seats in groove between the two parts. *M67 Lens Holder (hole) must face you. Then fix them with the Cap Screw by using supplied Allen Wrench. DO NOT tighten too much to avoid damage on the M67 Lens Holder.



- Attach one M67 Mount on compatible product in Group ⑤ 【M67 Lens Holder W / M67 Lens Holder for Float Arm】**
 Attach the M67 Lens Holder [hole] on compatible product as shown in image [left] below so that the Lens Holder base on the compatible product seats in groove of the M67 Lens Holder [hole]. Then fix it by the Cap Screw supplied with compatible product.

DO NOT use supplied cap screw comes with this product or compatible product in Group ⑤ will be damaged.

DO NOT tighten too much to avoid accidental damage on the M67 Lens Holder.



- Attach two M67 Mounts on compatible product in Group ⑤ 【M67 Lens Holder W / M67 Lens Holder for Float Arm】**
 Prepare additional M67 Lens Holder[hole] and attach to the Lens Holder base on the other side of compatible product in group ⑤ by following same procedure described in previous section.
 【It is necessary to prepare two M67 Lens Holders (M67 Lens Holder W or M67 Lens Holder for Float Arm)】
- How to attach M67 mount series lens**
 Follow same procedure to attach on a water-proof protector equipped with M67/pitch 0.75 screw mount. Refer to M67 mount series lens user manual for detail. Apply little amount of grease (grease for housing) on threaded part of M67 Lens Holder to prevent 「salt build-up」 or 「electrical corrosion」 between M67 Lens Holder and M67 mount series lens.

INON Inc. 2-18-9, Dai, Kamakura, Kanagawa 247-0061
 E-mail support@inon.co.jp / Fax. +81(0)467-48-2178
 URL <http://www.inon.co.jp/>

August 2009